

# MS2670

Mariner Kit for use with HP Elite 800 G9 SFF PC  
(Horizontal mount)



The HP Elite 800 G9 Small Form Factor (SFF) PC is marine type approved by most of the major international marine Classification Societies when it is installed in conjunction with our Mariner Kit MS2670.

The MS2670 Mariner Kit is designed to fit onto any horizontal surface and affords protection against the effects of vibration and shock experienced in the offshore marine environment and has been tested against IACS Unified Requirement E10 and the relevant sections of IEC60945 (see below right for test details).

This type approved combination of hardware and Mariner Kit can be used as the platform for your critical navigation, control, loading and general purpose applications (please check individual type approval certificates for any restrictions).

## PRODUCT FEATURES

- ◆ Designed for speed and efficiency and equipped with enterprise-class security and manageability, the compact HP Elite 800 G9 Small Form Factor PC helps future proof your fleet with ultimate flexibility and upgradeability
- ◆ Intel® Q670 chipset supporting 12<sup>th</sup> Generation Intel® Core™ processors, featuring integrated Intel® UHD Graphics and Intel® vPro® Technology (available with Core™ i3, Core™ i5 and Core™ i7 processors)
- ◆ **Internal Bays:** 1 x Slim Optical Disc Drive (ODD or removable storage); 2 x 3.5" Internal Storage Drive; 1 x SD Card Reader (optional)
- ◆ **Internal Ports:** 4 x PCI Express (low-profile); 4 x SATA ports; 2 x M.2 2280 (for storage)
- ◆ **USB Ports:** 10 x Type-A USB ports (4 front, 6 rear); 1 x USB Type-C USB port (front)
- ◆ **Graphics Ports:** 2 x Dual-Mode DisplayPort™ 1.4a; 1 x HDMI port 1.4 (rear)
- ◆ **Flex I/O Port (optional – choice of one):** 1 x Dual Type-A SuperSpeed USB 5Gbps; 1 x Type-C SuperSpeed USB 10Gbps; 1 x Thunderbolt™ 3.0 with USB 4.0; 1 x DisplayPort™ 1.4a; 1 x HDMI 2.1; 1 x VGA; 1 x RS-232 Serial port (rear)
- ◆ **Network Port:** 1 x RJ45 Network connector (rear)
- ◆ ENERGY STAR® certified and EPEAT® registered where applicable
- ◆ CCC, CECP and SEPA certified (where applicable)
- ◆ Compliant with the Restrictions of Hazardous Substances (RoHS) Directive – 2011/65/EC
- ◆ Compliant with the Waste Electrical and Electronic Equipment (WEEE) Directive – 2002/96/EC
- ◆ PC chassis and all internal components and modules are manufactured with low halogen content
- ◆ One-year limited warranty on parts and labour as standard

**“Proven solutions for  
a demanding environment”**



This Mariner Systems solution is tested against the consolidated, 'worst-case' requirements of all the following major international marine Classification Societies:

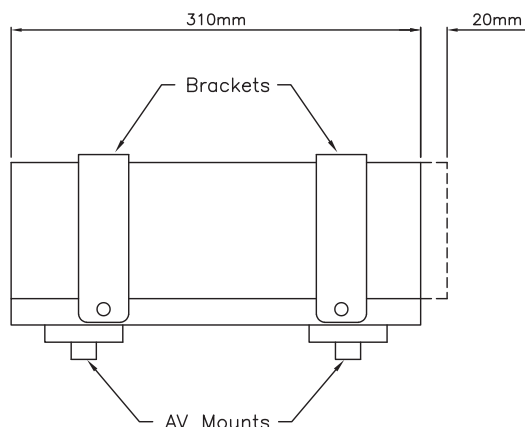
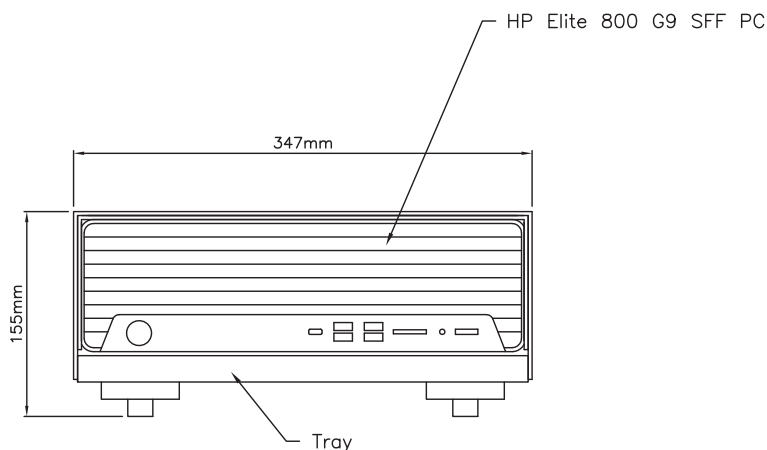
**ABS, BV, CCS, ClassNK, DNV, KR, LR, PRS, RINA**

Tests included within the test programme are as follows:

- > Vibration, Shock, Static and Dynamic Inclination
- > Dry & Damp Heat, Low Temperature
- > Acoustic Noise, Compass Safe Distance
- > High Voltage, Power Supply Variation & Power Supply Failure
- > Conducted LF & RF, Electromagnetic Field
- > Radiated & Conducted Emissions, Electrostatic Discharge
- > Insulation Resistance, Burst / Fast Transients
- > Surge Immunity, Access to Dangerous Voltages

# MS2670

## Mariner Kit for use with HP Elite 800 G9 SFF PC (Horizontal mount)



## OPERATING GUIDELINES

Although all of our solutions are tested against extreme environmental conditions for the purposes of marine type approval, installation should take into account the following guidelines:

- > Keep the computer away from excessive moisture, direct sunlight and the extremes of heat and cold. Wherever possible, ensure that the unit is operated within the manufacturer's recommended operating range:

	Operating	Non-Operating
<b>Temperature</b>	+10° to +35°C (+50° to +95°F)	-30° to +65°C (-22° to +149°F)
<b>Humidity</b>	10% to 90% (non-condensing)	5% to 95% (non-condensing)

- > Leave a 10.2 cm (4-inch) clearance on all vented sides of the computer to permit the required airflow
- > Never restrict airflow into the computer by blocking any vents or air intakes
- > Occasionally clean the air vents on all vented sides of the computer
- > If the computer is to be operated within a separate enclosure, intake and exhaust ventilation must be provided on the enclosure, and the same operating guidelines listed above will still apply

By following these guidelines, you will maximise the life of your computer and minimise service costs.

## STATISTICS

<b>Overall Fitted Dimensions</b>	347mm (w) x 155mm (h) x 330mm (d)
<b>Weight (Mariner Kit only)</b>	2.0 kg
<b>Weight (including hardware)</b>	7.1 kg (exact weight depends upon configuration)
<b>Chipset</b>	Intel® Q670
<b>Processor</b>	Intel® 12 <sup>th</sup> Generation Core™ i7, i5 & i3
<b>Memory</b>	Up to 128 GB DDR5-4800 DIMM
<b>Storage</b>	500 GB to 2 TB 3.5-inch SATA (7,200 rpm); 500 GB to 1 TB 2.5-inch SATA (7,200 rpm); 500 GB 2.5-inch SATA SED Opal 2 (7,200 rpm); 256 GB to 1 TB M.2 2280 PCIe NVMe SSD; 256 GB to 2 TB M.2 2280 PCIe NVMe TLC SSD
<b>Keyboard</b>	HP USB Keyboard
<b>Mouse</b>	HP USB Mouse
<b>Networking (integrated)</b>	Intel® I219LM GbE LOM
<b>Graphics (integrated)</b>	Intel® UHD Graphics
<b>Optical Storage</b>	HP 9.5mm Slim DVD-ROM; HP 9.5mm Slim DVD Writer
<b>Operating System</b>	Windows 11; Windows 10; FreeDOS
<b>Expansion Slot</b>	2 x low-profile PCIe x1 (v3.0) slots; 1 x low-profile PCIe x16 (v4.0) slot; 1 x low-profile PCIe x16 (v3.0) slot (wired as a x4)
<b>USB Support</b>	3 x Type-A USB 2.0 (rear); 3 x Type-A USB 3.2 Gen 1 (rear); 4 x Type-A USB 3.2 Gen 2 (front); 1 x Type-C® USB 3.2 Gen 2x2 (front)
<b>Rear I/O</b>	2 x DisplayPort™ 1.4a; 1 x HDMI 1.4; 1 x RJ-45 Network connector
<b>Operating Voltage Range</b>	90 ~ 264 Vac



### Mariner Systems (UK) Limited

Oaklands Park • Wokingham • Berkshire • RG41 2FD • United Kingdom

Telephone: +44 (0) 118 979 6020 • sales@marinersystems.com

www.marinersystems.com

Design and specifications are subject to change without notice. E&OE.

Version I